



INSTALLATION INSTRUCTIONS

Model CD1-024R Surge/Brownout/Short Cycle Protective Device IMPORTANT SAFETY INSTRUCTIONS • SAVE THESE INSTRUCTIONS

! WARNING *Risk of Fire or Electric Shock*

- Thoroughly read instructions before installing unit.
- Installation and Service to be performed by a qualified licensed HVAC technician or licensed electrician.
- Disconnect power at circuit breaker(s) before beginning installation or servicing.
- More than one circuit breaker or disconnect switch may be required to de-energize equipment before servicing.
- All wiring must comply with all state and local electrical codes including the National Electrical Code and/or Canadian Electrical Code.
- This unit contains no serviceable parts.
- This device features an internal protection that will disconnect the surge protective component but will maintain power to the load--now unprotected. If this is undesirable for the application, follow the manufacturer's instructions for replacing the device.
- Do not mount device nipple side up.
- This product is not designed for Rigid Conduit mounting.

The *Compressor Defender*™ protects HVAC Compressors (Scroll & Reciprocating), and the electronics inside central air conditioners, heat pumps, light commercial packaged rooftop units, and mini-splits from under/overvoltage conditions, surge events, and system short cycling caused from AC power interruptions.

Specs

- Input voltage: 120 VAC to 240 VAC 60Hz
- MCOV (Max Continuous Overvoltage):
L-N/G: 150V L-L: 300V
- Type 3 Outdoor Enclosure
- In (Nominal Discharge Rating) : 10kA
- SCCR (Short Circuit Current Rating): 20kA
- T-stat Normally Closed Relay, 24 VAC
- Output Current Rating: 2A @ 24VAC
- VPR (Voltage Protection Rating):
L-N/G: 700 L-L:1200
- TYPE 2 SPD
- Intended for indoor/outdoor use
- Operating Temp: -40°F to 158°F (-40°C to 70°C)

Installing the *Compressor Defender*™

A typical installation of the *Compressor Defender*™ connects to the load side of the electrical service panel and is intended to be installed with over current protection up to 60 amps to the device. The wire gauge size should be 10AWG with a minimum wire length of 6 inches to a maximum of 20 inches from the nipple out.

NOTE: The *Compressor Defender*™ does not have to be reset after a surge or brownout event.

1. Disconnect condensing unit power at circuit breaker(s), the AC disconnect, and at the 24 VAC thermostat circuit.
2. Mount the *Compressor Defender*™ making sure the 24 VAC wire is mounted below the nipple. See Figure 1.

NOTE: Ensure conductor lengths are as short and straight as possible for best performance. Do not coil excess wire. The SPD functions best if all bends in wires are rounded, ideally to a 4 inch radius. Hard 90° bend will reduce efficiency. Cut all leads to the correct length.

NOTE: If you want to install the *Compressor Defender*™ inside a condensing unit, drill two holes in the sheet metal and then insert the L clip on the *Compressor Defender*™ over the holes and secure the connection with two customer supplied sheet metal screws. See Figure 2.

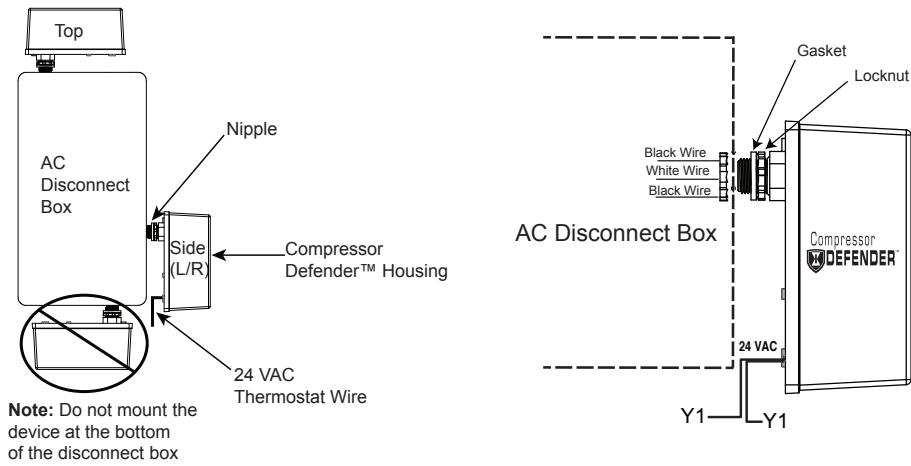


Figure 1. Installing Compressor Defender™ to AC Disconnect Box.

3. Connect the white wire from the *Compressor Defender™* to the neutral connection in the panel as shown in Figure 3.
4. Connect the two black wires to the load side of the circuit breaker that is supplying power to the compressor/pump as shown in Figure 3.

NOTE: The black wires may be connected to the line or load side from the AC disconnect.

5. Connect the supplied 24 VAC thermostat wire. Splice *Compressor Defender™* thermostat control wires into the Y1 terminal thermostat wire as shown in Figure 4.
6. Ensure all mounting and electrical connections are correct and securely fastened.
7. Reconnect condensing unit power at circuit breaker(s) and at the 24 VAC thermostat circuit. The green LED flashes to indicate the unit is in short cycle delay.

See Tables 1 and 2 for explanation of LED indicator status.

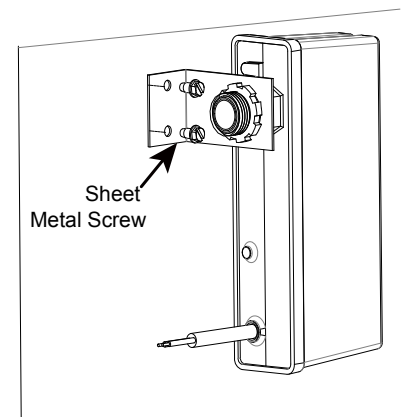


Figure 2. Mounting Compressor Defender™ in condensing unit.

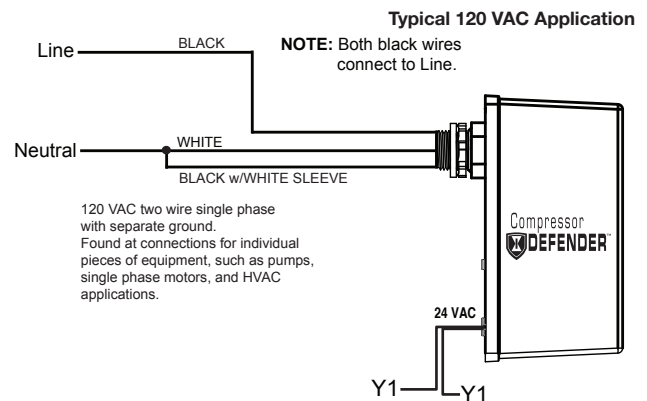
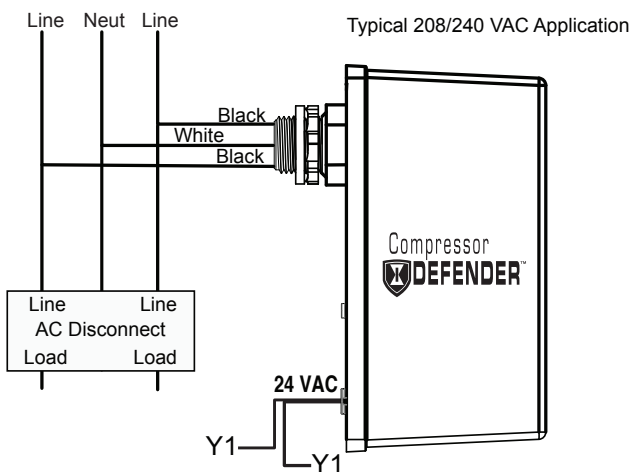


Figure 3 Installing Surge Protector wiring.

Compressor Defender™ Maintenance:

○ AC Voltage SPD:

- Periodically check *Compressor Defender™* to ensure green indicator LED is ON. If green LED is OFF, protection has diminished and the *Compressor Defender™* should be replaced immediately.

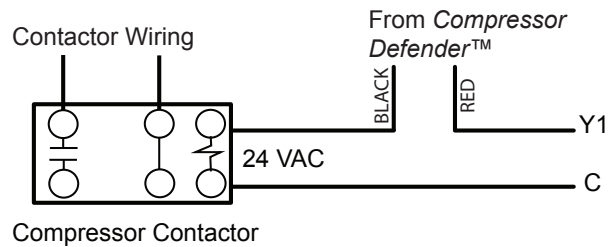


Figure 4. 24 VAC Contractor Wiring.

Table 1. LED Indicators (Diagnostics)

Condition	Green LED	Red LED
Surge Protected	ON	–
No Surge Protection	OFF	–
Under Voltage	–	Flash
Short Cycle Protect	Flash	–
Unit Power Lost	OFF	OFF

Table 2. Operation

See operation table below for an overview of the *Compressor Defender™* Operation

Condition	Description
Under Voltage	If line voltage falls below the accepted level, the relay output will open until the line voltage returns to the accepted level. Voltage Drop Protection conditions comply with AHRI standard 110-2012 Range B. For Voltage conditions that drop below outside the limits of Range B prompt corrective action is recommended <ul style="list-style-type: none"> 120 VAC Nominal – Range B 104 VAC 208 VAC Nominal – Range B 180 VAC 240 VAC Nominal – Range B 208 VAC
Short Cycle Delay	Once the line voltage exceeds the pick-up line voltage, the relay will close after the time delay elapses. Delay = 3 Minutes (non-adjustable).
Normally Closed Operation	If surge or voltage monitoring protection is lost, the unit will continue normal compressor and thermostat operation without surge protection. The unit should be replaced to restore surge protection to the circuit.

**LIMITED THREE YEAR PRODUCT and
CONNECTED EQUIPMENT WARRANTY for
INTERMATIC COMPRESSOR DEFENDER™**

(1) What is Covered By This Limited Warranty

(A) Replacement of Product

Intermatic Incorporated ("Intermatic") warrants to the original purchaser only, Intermatic CD1-024R *Compressor Defender™* (each a "Product") shall be free from defects in material or workmanship for a period of three years (36 months) from date of purchase or 39 months from date of manufacture. If the purchaser discovers a defect in material or workmanship, the purchaser must promptly submit a warranty claim. Upon a determination by Intermatic that the Product is defective, Intermatic shall correct any defect in material or workmanship by replacing the Defective Product. Any repair, including both parts and labor, shall be at Intermatic's expense. The foregoing remedy is the purchaser's exclusive remedy for a breach of warranty. The product must be installed in the appropriate application in complete accordance with the installation instructions. All building wiring and other connections to the Product must conform to all applicable national, state, and local electrical codes; the Product must not be opened, modified, submerged, or subjected to abnormal use or service. All products must be used in accordance with the instructions provided with the Product and the purchaser shall be solely responsible for selecting a Product model with specifications appropriate for the equipment to be protected. Intermatic shall determine, in its sole discretion, whether any Product returned by a purchaser has been used in accordance with its instructions, is an appropriate model for the purchaser's use thereof, and whether the Product is defective.

(B) Repair or Reimbursement for Damage to Properly Connected Equipment

In addition to the above described Product warranty, Intermatic warrants to the original purchaser of the Product for a period of three years from the date of purchase, the following: In the event that any connected electrical equipment (as defined below) is damaged (the "Damaged Equipment") as a direct result of the failure of a Product to protect the Damaged Equipment from Power Transients (as hereinafter defined) and all other conditions are satisfied, Intermatic's option, either to repair the Damaged Equipment or reimburse the purchaser of the defective product. The limit of Intermatic's liability under this warranty shall be the Fair Market Value (as hereinafter defined) of the Damaged Equipment or the deductible amount of the original purchaser's property insurance policy, whichever is less. In no event shall Intermatic incur repair costs or reimburse the purchaser for an amount in excess of \$7,500. As used herein, "connected electrical equipment" shall mean the electronics and the HVAC equipment this product is intended to protect. The Fair Market Value of the Damaged Equipment shall be the current value of the equipment specified in the most recent version of the Orion Blue Book (printed or on-line edition) by Orion Research Corporation, or a comparable publication. Promptly upon discovering any Damaged Equipment, the purchaser must submit a claim pursuant to the claim procedure provided below. In no event may a purchaser initiate a claim later than (30) days after the Protected Equipment is damaged. In order to receive the Connected Equipment protection provided in this Section, all of the following conditions must be satisfied with respect to the use of the Product: (a) the Product must be properly installed; (b) all building wiring and other connections to the Product and the Damaged Equipment must conform to all applicable federal, state and local electrical codes; (c) no ground wires or ground connections in addition to the AC power source can be used in connection with the Product or the Damaged Equipment; (d) the Product(s) and Protected Equipment must not be opened, modified, submerged or subjected to abnormal use or service. For purposes of this Limited Warranty, a Power Transient shall mean over-voltage resulting from momentary voltage spikes or surges on an AC power line of magnitude that the Product, according to its specifications, is designed to stop before such spikes or surges affect downstream equipment.

(2) What is Not Covered By This Warranty

Intermatic does not warrant (a) defects in the Product or damage to any equipment caused by the failure to properly install the Product, (b) damage caused by use of the Product for purposes other than those for which it was designed, (c) damage caused by disaster such as fire, flood and wind, (d) damage caused by unauthorized attachments or modification of the Product, (e) damage to the Product occurring during the shipment, or (f) electrical disturbances exceeding published product specifications, (g) damage to the Product caused by any other abuse or misuse by the purchaser, (h) damage due to direct or vicinity lightning strikes. This warranty applies to residential and commercial applications. This device is not intended to provide protection during Utility voltage swells or loss of neutral conditions which are by definition not transient events and are not covered by this warranty.

(3) Disclaimer of Warranty

THE FOREGOING WARRANTIES ARE IN LIEU OF ALL OTHER EXPRESSED WARRANTIES. TO THE EXTENT ALLOWED BY LAW, ANY IMPLIED WARRANTIES OF MERCHANTABILITY OR FITNESS FOR A PARTICULAR PURPOSE ARE LIMITED IN DURATION OF THIS LIMITED WARRANTY.

(4) Limitation of Remedies

IN NO CASE SHALL INTERMATIC BE LIABLE FOR ANY SPECIAL, INCIDENTAL, OR CONSEQUENTIAL DAMAGES BASED UPON BREACH OF WARRANTY, BREACH OF CONTRACT, NEGLIGENCE, STRICT TORT, OR ANY OTHER LEGAL THEORY. SUCH EXCLUDED DAMAGES INCLUDE, BUT ARE NOT LIMITED TO, DAMAGE TO SOFTWARE, LOSS OF DATA, LOSS OF PROFITS, LOSS OF SAVINGS OR REVENUE, LOSS OF USE OF THE PRODUCT OR ANY ASSOCIATED EQUIPMENT, COST OF CAPITAL, COST OF ANY SUBSTITUTE EQUIPMENT, FACILITIES OR SERVICES, DOWNTIME, THE CLAIMS OF THIRD PARTIES INCLUDING CUSTOMERS, DAMAGE TO PROPERTY AND PERSONAL INJURY. SOME STATES DO NOT ALLOW LIMITS ON WARRANTIES OR ON REMEDIES FOR BREACH IN CERTAIN TRANSACTIONS, IN SUCH STATES, THE LIMITS IN THIS PARAGRAPH AND IN PARAGRAPH (3) MAY NOT APPLY.

(5) Time Limit for Bringing Suit

No action arising out of any claimed breach of warranty may be brought more than one year after the cause of action has occurred.

(6) No Other Warranties

Unless modified in writing signed by both parties, this agreement is understood to be the complete and exclusive agreement between the parties, superseding all prior agreements, oral or written, and all other communications between the parties relating to the subject matter of this agreement. No employee of Intermatic or any other party is authorized to make any warranty in addition to those made in this agreement. This warranty is made by: Intermatic Incorporated/After Sales Service, 7777 Winn Rd., Spring Grove, IL. 60081-9698/815-675-7000 <http://www.intermatic.com>

(7) Claim Procedure

In order to submit a claim for warranty service the original purchaser must:

- (A) Contact the Intermatic Insurance Claims Center at 1-800-270-7227 before having the damaged equipment repaired.
- (B) Request that an Incident Claim Report be written regarding the damage including descriptions and model identification (if available) of the equipment that was damaged. Record the Warranty Claim Number for future reference.
- (C) File a claim for the damaged equipment with your property insurance company.
- (D) Send the INTERMATIC SURGE PROTECTIVE DEVICE to the Intermatic Warranty Coordinator at the address listed below. All returned devices must be plainly marked with the Intermatic Warranty Claim Number.
- (E) Send all of the following information in a single packet to the Intermatic Warranty Coordinator at the address listed below.
 - (1) Claimant's name, address and telephone number.
 - (2) Original dated sales receipt for the Intermatic Surge Protection Device.
 - (3) Original report for repair work.
 - (4) The damage report
 - (5) A copy of the claim report by the property insurance company or a copy of the policy showing the deductible amount exceeds the cost of the repair.
- (F) Address all communications and products returns to:

Intermatic Warranty Coordinator
7777 Winn Road
Spring Grove, Illinois 60081-9698
Attn: Surge Claim Processor

Product & Installation Information

Purchase date: _____

Installation date: _____

Installed by: _____

Point of installation: _____

Breaker ratings if applicable: _____

INTERMATIC INCORPORATED, 7777 Winn Road, SPRING GROVE, ILLINOIS 60081-9698
<http://www.intermatic.com>

158--01457

**Système de protection contre les surtensions/baisses de tension/courts cycles modèle CD1-024R
INSTRUCTIONS DE SÉCURITÉ IMPORTANTES • CONSERVER CES INSTRUCTIONS****⚠️ AVERTISSEMENT** *Risque d'incendie ou de choc électrique*

- Lire les instructions avec attention avant d'installer l'appareil.
- L'installation et l'entretien doivent être effectués par un technicien en chauffage, ventilation et climatisation qualifié ou un électricien qualifié.
- Débrancher l'alimentation au niveau des disjoncteurs avant de procéder à l'installation ou à l'entretien.
- Il peut être nécessaire d'ouvrir plusieurs disjoncteurs ou sectionneurs pour mettre le matériel hors tension avant d'y travailler.
- Le câblage doit être conforme à tous les codes de l'électricité en vigueur, notamment avec le National Electrical Code et/ou le Code canadien de l'électricité.
- Cet appareil ne contient aucune pièce réparable.
- Cet appareil comporte une protection interne qui isole l'élément limiteur de surtension mais maintient la charge sous tension, mais sans protection. Si cela n'est pas souhaitable pour l'installation considérée, suivre les instructions du fabricant pour remplacer l'appareil.
- Ne pas monter l'appareil avec le côté mamelon vers le haut.
- Ce produit n'est pas conçu pour être monté sur un conduit rigide.

Le *Compressor Defender™* protège les compresseurs de CVC (à volute et alternatifs) et l'électronique à l'intérieur de climatiseurs centraux, pompes à chaleur, systèmes de toiture monobloc commerciaux légers et systèmes mini-bloc contre les états de sous-/surtension, les pointes de surtension et les courts cycles du système provoqués par des coupures de l'alimentation secteur.

Caractéristiques

- Tension d'entrée : 120 V c.a. à 240 V c.a. 60 Hz
- Relais de thermostat normalement fermé, 24 V c.a.
- Courant nominal de sortie : 2 A sous 24 V c.a.
- MCOV (surtension continue maximale) :
L-N/G : 150 V L-L : 300 V
- VPR (niveau de protection en tension) :
L-N/G : 700 V L-L : 1200 V
- Boîtier pour l'extérieur de type 3
- Limiteur de surtension de type 2
- In (Courant nominal de décharge) : 10 kA
- Conçu pour une utilisation à l'intérieur/extérieur
- SCCR (Courant nominal de court-circuit) : 20 kA
- Temp. d'exploitation : -40 °C à 70 °C (-40 °F à 158 °F)

Installation du *Compressor Defender™*

Généralement, le *Compressor Defender™* se raccorde au côté demande du tableau électrique et doit être installé avec une protection contre les surintensités de 60 A maximum à l'entrée de l'appareil. Le câblage doit être de calibre de 10 AWG et d'une longueur de 15 cm (6 po) minimum à 50 cm (20 po) maximum depuis le mamelon.

REMARQUE : Le *Compressor Defender™* ne doit pas être réarmé à la suite d'une surtension ou d'une baisse de tension du réseau.

1. Couper l'alimentation électrique du condenseur au niveau du ou des disjoncteurs, du sectionneur de courant secteur et du circuit de thermostat 24 V c.a.
2. Monter le *Compressor Defender™* en veillant à placer le fil de 24 V c.a. en dessous du mamelon. Voir Figure 1.

REMARQUE : Pour assurer un fonctionnement optimal, les conducteurs doivent être aussi courts et droits que possible. Ne pas enrouler l'excédent de fil. Le limiteur de surtension fonctionne mieux si tous les coudes des fils sont arrondis, de préférence d'un rayon de 10 cm. Les coudes à 90° serrés réduisent son efficacité. Couper tous les conducteurs à la bonne longueur.

REMARQUE : Pour installer le *Compressor Defender™* à l'intérieur d'un condenseur, percer deux trous dans la tôle puis placer l'attache en L du *Compressor Defender™* sur les trous et la fixer avec les deux vis à tôle fournies par le client. Voir Figure 2.

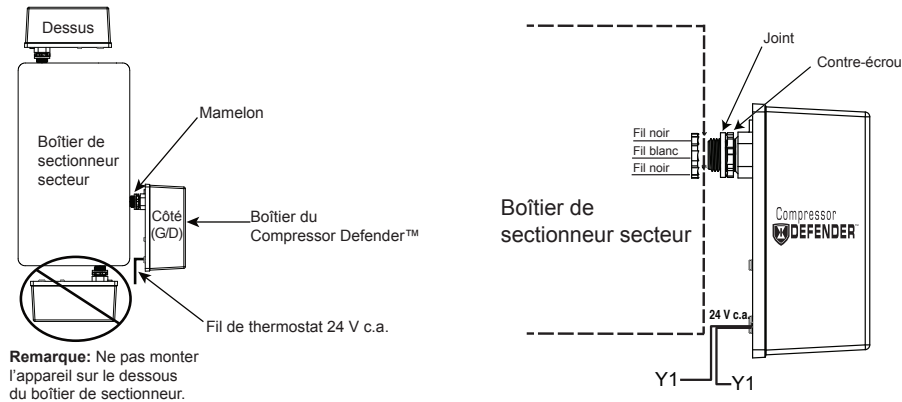


Figure 1. Pose du Compressor Defender™ sur un boîtier de sectionneur de courant secteur.

3. Raccorder le fil blanc du *Compressor Defender™* au branchement de neutre du tableau, comme sur la Figure 3.
4. Raccorder les deux fils noirs au côté demande du disjoncteur qui alimente le compresseur/la pompe comme sur la Figure 3.

REMARQUE: Les fils noirs peuvent être raccordés sur le côté secteur ou demande du sectionneur de courant secteur.

5. Raccorder le fil de thermostat 24 V c.a. fourni. Épissurer les fils de commande de thermostat du *Compressor Defender™* sur le fil de thermostat de la borne Y1 comme sur la Figure 4.
6. S'assurer que tous raccordements de fixation et branchements électriques sont correct et bien serrés.
7. Rétablir l'alimentation électrique du condenseur au niveau du ou des disjoncteurs et du circuit de thermostat 24 V c.a. Le voyant vert clignote pour indiquer que l'appareil est en mode de temporisation de court cycle.

Voir la description des états du voyant aux tableaux 1 et 2.

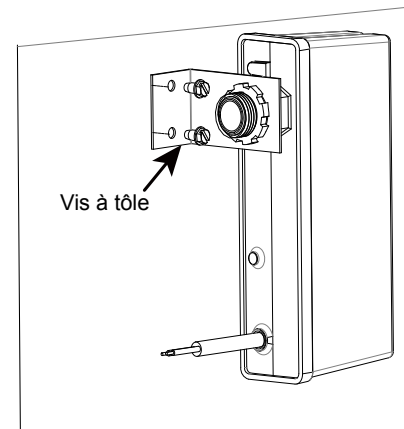


Figure 2. Montage du Compressor Defender™ dans le condenseur.

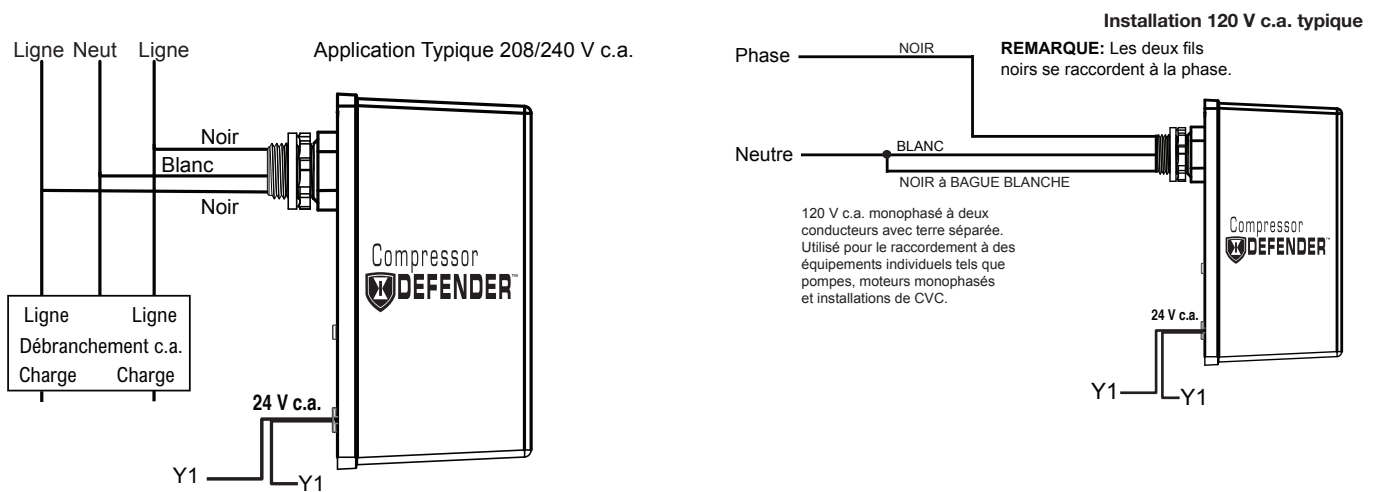


Figure 3. Câblage du limiteur de surtension.

Entretien du *Compressor Defender™* :

- Limiteur de surtension c.a. :
 - Contrôler régulièrement le *Compressor Defender™* pour vérifier que le voyant vert est allumé. Si le voyant vert est éteint, la protection est réduite et le *Compressor Defender™* doit être changé immédiatement.

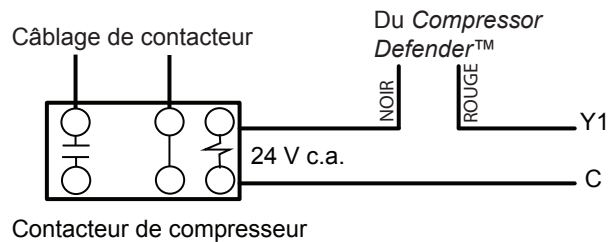


Figure 4. Câblage installateur 24 V c.a.

Tableau 1. Voyants indicateurs (diagnostic)

Situation	Voyant vert	Voyant rouge
Protection contre les surtensions	Allumé	–
Pas de protection antisurtension	Éteint	–
Sous-tension	–	Clignotant
Protection anti-court cycle	Clignotant	–
Perte d'alimentation de l'appareil	Éteint	Éteint

Tableau 2. Fonctionnement

Le tableau ci-dessous offre une vue d'ensemble du fonctionnement du *Compressor Defender™*

Situation	Description
Sous-tension	Si la tension secteur chute en-dessous du niveau admissible, la sortie du relais s'ouvre jusqu'à ce que la tension secteur revienne à un niveau admissible. La protection anti-baisse de tension est conforme à la norme AHRI 110-2012 Range B. En cas de baisse de la tension en dessous des limites Range B, il est conseillé de prendre des mesures correctives rapides. <ul style="list-style-type: none"> • 120 V c.a. nominal – Range B 104 V c.a. • 208 V c.a. nominal – Range B 180 V c.a. • 240 V c.a. nominal – Range B 208 V c.a.
Temporisation de court cycle	Une fois que la tension secteur dépasse la tension secteur d'excitation, le relais se ferme à l'expiration du délai de temporisation. Temporisation = 3 minutes (non réglable).
Fonctionnement normalement fermé	Si la protection anti-surtension ou de surveillance de tension est perdue, le compresseur et le thermostat continuent de fonctionner normalement sans protection contre les surtensions. L'appareil doit être changé pour rétablir la protection du circuit contre les surtensions.

GARANTIE LIMITÉE TROIS ANS SUR LE PRODUIT et LE MATÉRIEL RACCORDÉ pour l'INTERMATIC COMPRESSOR DEFENDER™

(1) Ce qui est couvert par la présente garantie limitée

(A) Remplacement du produit

Intermatic Incorporated (« Intermatic ») garantit à l'acheteur initial seulement que l'Intermatic CD1-024R *Compressor Defender™* (le « Produit ») est exempt de vices de matériau ou de fabrication pendant une durée de trois ans (36 mois) à compter de la date d'achat ou de 39 mois à compter de la date de fabrication. S'il découvre un vice de matériau ou de fabrication, l'acheteur doit soumettre une réclamation en garantie dans les meilleurs délais. S'il est déterminé par Intermatic que le Produit est défectueux, Intermatic s'engage à corriger tout vice de matériau ou de fabrication en remplaçant le Produit défectueux. Toute réparation, notamment les pièces et la main d'œuvre, sera aux frais d'Intermatic. Le recours qui précède constitue le recours exclusif de l'acheteur en cas de rupture de garantie. Le produit doit être installé aux fins prévues en totale conformité avec les instructions d'installation. Tout le câblage de l'immeuble et autres raccordements au Produit doivent être conformes à tous les codes de l'électricité en vigueur; Le Produit ne devra pas être ouvert, modifié, immergé ni soumis à une utilisation ou un entretien hors de la normale. Tous les produits doivent être utilisés conformément aux instructions fournies avec le Produit et il incombe exclusivement à l'acheteur de sélectionner un modèle de Produit aux caractéristiques qui conviennent pour le matériel à protéger. Intermatic déterminera, à son entière discrétion, si un Produit renvoyé par un acheteur a été utilisé conformément à ses instructions, s'il s'agit d'un modèle adapté à son utilisation par l'acheteur et si le Produit est défectueux.

(B) Réparation ou remboursement pour les dommages au matériel correctement raccordé

En plus de la garantie décrite ci-dessus, Intermatic offre à l'acheteur initial du Produit, pendant une période de trois ans à compter de la date d'achat, les garanties suivantes : Dans l'éventualité où tout matériel électrique raccordé (tel que défini ci-dessous) est endommagé (le « Matériel endommagé ») sous l'effet direct du manquement d'un Produit à protéger le Matériel endommagé contre les Transitoires électriques (tels que définis ci-après) et où toutes les autres conditions sont satisfaites, au choix d'Intermatic, soit la réparation du Matériel endommagé, soit le remboursement à l'acheteur du produit défectueux. La responsabilité d'Intermatic aux termes de la garantie sera limitée à la Juste valeur marchande (telle que définie ci-après) du Matériel endommagé ou au montant de la franchise de la police d'assurance sur les biens de l'acheteur initial, s'il est moins élevé. Intermatic ne saurait en aucun cas encourir des coûts de réparation ni rembourser l'acheteur d'un montant de plus de 7 500 \$. Dans les présentes, « matériel électrique raccordé » fait référence à l'électronique et au matériel de CVC que ce produit est supposé protéger. La Juste valeur marchande du Matériel endommagé sera la valeur actuelle du matériel figurant dans la version la plus récente de l'Orion Blue Book (version imprimée ou en ligne) d'Orion Research Corporation ou d'une publication comparable. Après la découverte d'un quelconque Matériel endommagé, l'acheteur doit soumettre dans les meilleurs délais une réclamation suivant la procédure de réclamation prévue ci-dessous. L'acheteur ne pourra en aucun cas entamer une réclamation plus de trente (30) jours après l'endommagement du Matériel protégé. Pour bénéficier de la protection du Matériel raccordé prévue dans la présente section, toutes les conditions suivantes devront être satisfaites concernant l'utilisation du Produit : (a) le Produit doit être correctement installé; (b) tout le câblage de l'immeuble et autres raccordements au Produit doivent être conformes à tous les codes de l'électricité en vigueur; (c) aucun fil de terre ni raccordement à la terre en plus de la source de courant secteur ne pourront être utilisés en rapport avec le Produit ou le Matériel endommagé; (d) le(s) Produit(s) et le Matériel protégé ne devront pas être ouverts, modifiés, immergés ni soumis à une utilisation ou un entretien hors de la normale. Aux fins de la présente garantie limitée, un Transitoire électrique est une surtension résultant de pointes ou crêtes momentanées de tension sur la ligne d'alimentation secteur, d'une amplitude que le Produit, conformément à ses caractéristiques, est conçu pour arrêter avant que ces pointes ou crêtes aient un effet sur le matériel en aval.

(2) Ce qui n'est pas couvert par la présente garantie

Intermatic ne garantit pas (a) les défauts du Produit ou les dommages à tout matériel provoqués par une installation incorrecte du Produit, (b) les dommages provoqués par l'utilisation du Produit à des fins autres que celles auxquelles il a été conçu, (c) les dommages provoqués par une catastrophe telle qu'un incendie, une inondation et du vent, (d) les dommages provoqués par des accessoires ou modifications non autorisés sur le Produit, (e) les dommages au Produit occasionnés durant le transport, ou (f) par des perturbations électriques dépassant les caractéristiques publiées du produit, (g) les dommages au Produit provoqués par tout autre emploi abusif ou détourné par l'acheteur, (h) les dommages causés par un foudroiement direct ou proche. Cette garantie s'applique aux installations résidentielles et commerciales. Cet appareil n'est pas destiné à offrir une protection dans les situations de perte de neutre ou d'accroissement progressif de la tension du secteur, qui, par définition, ne sont pas des transitoires et ne sont pas couverts par la présente garantie.

(3) Avertissement concernant la garantie

LES GARANTIES PRÉCÉDENTES REMPLACENT TOUTE AUTRE GARANTIE EXPLICITE. DANS LA MESURE PERMISE PAR LA LOI, TOUTE GARANTIE IMPLICITE DE QUALITÉ MARCHANDE OU D'ADAPTATION À UN EMPLOI PARTICULIER SE LIMITE À LA DURÉE DE LA PRÉSENTE GARANTIE.

(4) Limite des recours

EN AUCUN CAS INTERMATIC NE SAURAIT ÊTRE RESPONSABLE DE QUELCONQUES DOMMAGES-INTÉRÊTS SPÉCIAUX, INDIRECTS OU CONSÉCUTIFS FONDÉS SUR UNE RUPTURE DE GARANTIE, UNE RUPTURE DE CONTRAT, UN DÉLIT AU SENS STRICT OU TOUTE AUTRE DOCTRINE. CES DOMMAGES-INTÉRÊTS EXCLUS COMPRENNENT NOTAMMENT, MAIS SANS LIMITATION, LES DOMMAGES À DES LOGICIELS, PERTES DE DONNÉES, PERTE DE PROFITS, MANQUES À GAGNER OU À ÉCONOMISER, PERTE DE JOUISSANCE DU PRODUIT OU DE TOUT AUTRE MATÉRIEL ASSOCIÉ, COÛT DE CAPITAL, COÛT DE TOUT MATÉRIEL, INSTALLATIONS OU SERVICES DE SUBSTITUTION, TEMPS D'IMMOBILISATION, RÉCLAMATIONS PAR DES TIERS, Y COMPRIS PAR DES CLIENTS, DÉGÂTS MATÉRIELS ET BLESSURES CORPORELLES. CERTAINS ÉTATS OU PROVINCES N'AUTORISENT PAS LES LIMITES SUR LES GARANTIES OU SUR LES RECOURS EN CAS DE RUPTURE DANS CERTAINES TRANSACTIONS. DANS CES ÉTATS OU PROVINCES, LES LIMITES DU PRÉSENT PARAGRAPHE ET DU PARAGRAPHE (3) PEUVENT NE PAS S'APPLIQUER.

(5) Délai limite d'introduction d'une instance judiciaire

Aucune action en justice fondée sur une quelconque rupture de garantie alléguée ne pourra être intentée plus d'une année après que le motif d'action se soit produit.

(6) Aucune autre garantie

Sauf modification par écrit signée par les deux parties, cet accord est présumé être l'accord complet et exclusif entre les parties, remplaçant tous les accords antérieurs, oraux ou écrits, et toutes les autres communications entre les parties au sujet du présent accord. Aucun employé d'Intermatic ni aucune autre partie n'est autorisé à offrir une quelconque autre garantie en plus de celles établies dans le présent accord. La présente garantie est offerte par : Intermatic Incorporated/After Sales Service, 7777 Winn Rd., Spring Grove, IL. 60081-9698/815-675-7000 <http://www.intermatic.com>

(7) Procédure de réclamation

Pour soumettre une réclamation au titre de la garantie, l'acheteur initial doit :

(A) Communiquer avec le centre de réclamation d'assurance Intermatic au 1-800-270-7227 avant de faire réparer le matériel endommagé.

(B) Demander qu'un rapport de déclaration d'incident (Incident Claim Report) soit rédigé concernant les dommages, en incluant la description et l'identification du modèle (le cas échéant) du matériel qui a été endommagé. Consigner le numéro de réclamation de garantie (Warranty Claim Number) pour toute référence ultérieure.

(C) Soumettre une déclaration de dommage matériel auprès de sa compagnie d'assurance des biens.

(D) Renvoyer le LIMITEUR DE SURTENSION INTERMATIC au coordinateur de garantie à l'adresse indiquée ci-dessous. Tous les appareils renvoyés doivent être clairement marqués du numéro de réclamation de garantie Intermatic.

(E) Envoyer toutes les informations suivantes dans un même colis au coordinateur de garantie à l'adresse indiquée ci-dessous.

(1) Le nom, l'adresse et le numéro de téléphone du déclarant.

(2) L'original daté du reçu de la vente pour le limiteur de surtension Intermatic.

(3) L'original du rapport des travaux de réparation.

(4) Le rapport de dommages

(5) Un exemplaire du compte rendu de déclaration de la compagnie d'assurance de biens ou une copie de la police d'assurance montrant que le montant de la franchise est supérieur au coût de la réparation.

(F) Adresser toutes les communications et renvois de produits à :

Intermatic Warranty Coordinator
7777 Winn Road,
Spring Grove, Illinois 60081-9698
Attn: Surge Claim Processor

Informations sur le produit et l'installation

Date d'achat : _____

Date d'installation : _____

Installé par : _____

Point d'installation : _____

Valeur des disjoncteurs le cas échéant : _____

INTERMATIC INCORPORATED, 7777 Winn Road, SPRING GROVE, ILLINOIS 60081-9698

<http://www.intermatic.com>

158--01457

Dispositivo de protección contra sobretensión, apagado y ciclos cortos modelo CD1-024R
INSTRUCCIONES IMPORTANTES DE SEGURIDAD • GUARDE ESTAS INSTRUCCIONES**! ADVERTENCIA Riesgo de incendio o descarga eléctrica**

- Lea completamente las instrucciones antes de instalar la unidad.
- Un técnico de calefacción, ventilación y aire acondicionado (HVAC, por sus siglas en inglés) calificado y con certificación o un electricista con certificación deben realizar la instalación y el mantenimiento.
- Desconecte la energía desde los disyuntores antes de comenzar la instalación o el mantenimiento.
- Es posible que requiera más de un disyuntor o interruptor de desconexión para desenergizar los equipos antes de realizar mantenimiento.
- Todo el cableado debe cumplir con todos los códigos eléctricos locales y estatales, incluso el Código eléctrico nacional o el Código eléctrico canadiense.
- Esta unidad no contiene piezas a las que le pueda realizar mantenimiento.
- Este dispositivo cuenta con una protección interna que desconectará el componente de protección contra sobretensión, pero mantendrá la energía en la carga, que ahora estará desprotegida. Si esto no se desea para la aplicación, siga las instrucciones del fabricante para reemplazar el dispositivo.
- No monte la boquilla del dispositivo hacia arriba.
- Este producto no está diseñado para el montaje de conductos rígidos.

Compressor Defender™ protege los compresores de HVAC (scroll y alternativos) y los componentes electrónicos dentro de los equipos de aire acondicionado central, bombas de calor, unidades de techo livianas integradas para aplicaciones comerciales y aire acondicionado mini-split de condiciones de sobrevoltaje o subvoltaje, eventos de sobretensión y ciclos cortos del sistema provocados por interrupciones de energía de CA.

Especificaciones

- Voltaje de entrada: 120 V CA a 240 V CA, 60 Hz
- MCOV (Sobrevoltaje continuo máximo):
L-N/G: 150 V L-L: 300 V
- Caja tipo 3 para exteriores
- In (Corriente nominal de descarga): 10 kA
- SCCR (Clasificación de corriente de cortocircuito): 20 kA
- Relé de termostato normalmente cerrado, 24 V CA
- Clasificación de corriente de salida: 2 A a 24 V CA
- VPR (Clasificación de protección de tensión):
L-N/G: 700 L-L:1200
- SPD TIPO 2
- Diseñado para uso en interiores y exteriores
- Temperatura de funcionamiento: -40 °C a 70 °C

Instalación de *Compressor Defender™*

Una instalación típica de *Compressor Defender™* conecta el lado de carga del panel de servicio eléctrico y está diseñado para instalarse con una protección de sobrecorriente de hasta 60 A para el dispositivo. El calibre del cable debe ser 10 AWG con una longitud mínima de 15,2 cm hasta un máximo de 50,8 cm desde la boquilla hacia afuera.

NOTA: No es necesario restablecer el *Compressor Defender™* después de un evento de sobretensión o apagado parcial.

1. Desconecte la energía de la unidad condensadora en los disyuntores, la desconexión de CA y el circuito del termostato de 24 V CA.
2. Monte el *Compressor Defender™* y asegúrese de que el cable de 24 V CA esté montado bajo la boquilla. Consulte la Figura 1.

NOTA: Asegúrese de que las longitudes del conductor sean lo más cortas y rectas posible para obtener el mejor rendimiento. No enrolle el exceso de cable. El dispositivo de protección contra sobretensión (SPD) funciona mejor si todas las curvas de los cables son redondeadas, idealmente, con un radio de 10,2 cm. Las curvas pronunciadas en 90° reducirán la eficacia. Corte todos los conductores a la longitud correcta.

NOTA: Si desea instalar el *Compressor Defender™* dentro de una unidad condensadora, perforo dos orificios en la lámina de metal y, luego, inserte el sujetador en L en el *Compressor Defender™*, sobre los orificios y fije la conexión con los dos tornillos de chapa proporcionados por el cliente. Consulte la Figura 2.

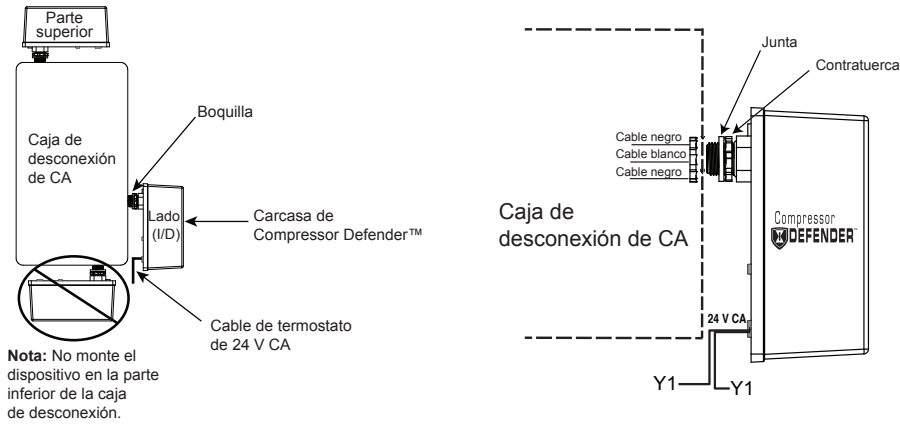


Figura 1. Instalación del Compressor Defender™ en una caja de desconexión de CA.

3. Conecte el cable blanco desde el *Compressor Defender™* a la conexión neutra en el panel, como se muestra en la Figura 3.
4. Conecte los dos cables negros al lado de carga del disyuntor que suministre energía hacia el compresor o bomba, como se muestra en la Figura 3.

NOTA: Los cables negros se pueden conectar al lado de línea o de carga desde la desconexión de CA.

5. Conecte el cable de termostato proporcionado de 24 V CA. Empalme los cables de control del termostato del *Compressor Defender™* en el cable terminal Y1 del termostato, como se muestra en la Figura 4.
6. Garantice que todo el montaje y las conexiones eléctricas sean correctas y estén conectadas firmemente.
7. Vuelva a conectar la energía de la unidad condensadora en los disyuntores y el circuito del termostato de 24 V CA. El LED verde parpadeará para indicar que la unidad está en retraso de ciclo corto.

Consulte las Tablas 1 y 2 para conocer la explicación del estado del indicador LED.

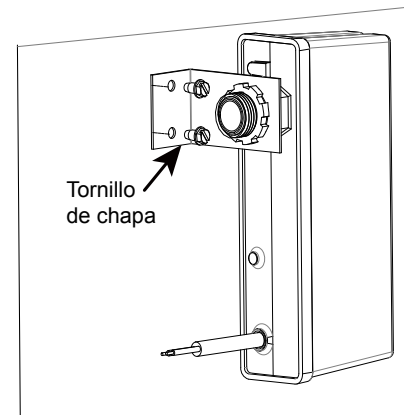


Figura 2. Montaje del Compressor Defender™ en la unidad condensadora.

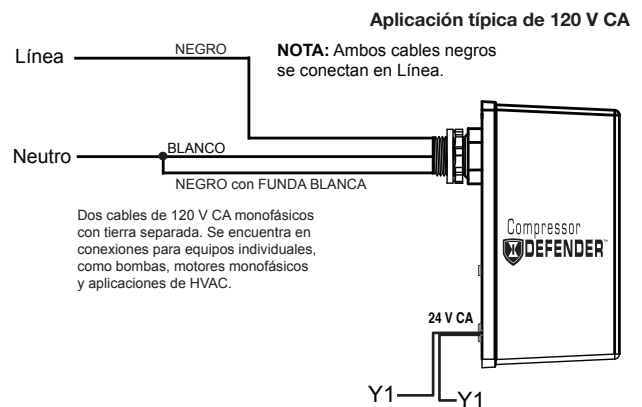
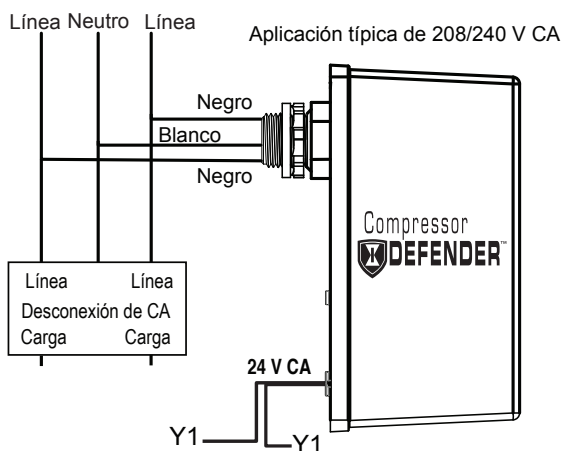


Figura 3. Instalación del cableado del protector contra sobretensión.

Mantenimiento de Compressor Defender™:

○ SPD de voltaje de CA:

- Revise periódicamente el *Compressor Defender™* para garantizar que el indicador LED verde esté ENCENDIDO. Si el LED verde está APAGADO, la protección ha disminuido y el *Compressor Defender™* se debe reemplazar inmediatamente.

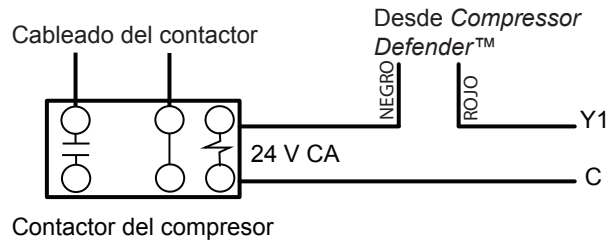


Figura 4. Cableado del contactor de 24 V CA.

Tabla 1. Indicadores LED (Diagnóstico)

Condición	LED verde	LED rojo
Protegido contra sobretensión	Encendido	–
Sin protección contra sobretensión	Apagado	–
Subvoltaje	–	Parpadeo
Protección contra ciclos cortos	Parpadeo	–
Pérdida de energía de la unidad	Apagado	Apagado

Tabla 2. Funcionamiento

Consulte la tabla de funcionamiento a continuación para ver un resumen del funcionamiento de *Compressor Defender™*

Condición	Descripción
Subvoltaje	Si el voltaje de línea cae por debajo del nivel aceptado, la salida del relé se abrirá hasta que el voltaje de línea vuelva al nivel aceptado. Las condiciones de protección de caída de voltaje cumplen con la norma AHRI 110-2012 rango B. Para las condiciones de voltaje que caen por debajo de los límites del rango B, se recomiendan medidas correctivas oportunas. <ul style="list-style-type: none"> • 120 V CA nominales: Rango B 104 V CA • 208 V CA nominales: Rango B 180 V CA • 240 V CA nominales: Rango B 208 V CA
Retardo de ciclo corto	Una vez que el voltaje de línea exceda el voltaje de la línea de captación, el relé se cerrará después de que pase el tiempo de retardo. Retardo = 3 minutos (no ajustable).
Funcionamiento normalmente cerrado	Si se pierde la protección de monitoreo de voltaje o sobretensión, la unidad continuará con el funcionamiento normal del compresor y del termostato sin protección contra sobretensión. Se debe reemplazar la unidad para restaurar la protección contra sobretensión hacia el circuito.

GARANTÍA LIMITADA DE TRES AÑOS PARA EL PRODUCTO y LOS EQUIPOS CONECTADOS para COMPRESSOR DEFENDER™ DE INTERMATIC

(1) Lo que cubre esta garantía limitada

(A) Reemplazo del producto

Intermatic Incorporated ("Intermatic") garantiza solo al comprador original que el *Compressor Defender™* modelo CD1-024R de Intermatic (cada uno de ellos, un "Producto") estará libre de defectos en material y mano de obra por un período de tres años (36 meses) desde la fecha de compra, o bien, 39 meses desde la fecha de fabricación. Si el comprador descubre un defecto en el material o la mano de obra, el comprador debe enviar una reclamación de garantía oportunamente. Cuando Intermatic determine que el Producto está defectuoso, corregirá todo defecto en material o mano de obra mediante el reemplazo del Producto defectuoso. Toda reparación, lo que incluye piezas y mano de obra, será a cargo de Intermatic. La solución anterior es la solución exclusiva del comprador en caso de un incumplimiento de garantía. El producto se debe instalar en la aplicación adecuada, completamente de acuerdo con las instrucciones de instalación. Todo el cableado del edificio y otras conexiones hacia el Producto deben ser conformes a todos los códigos eléctricos nacionales, estatales y locales pertinentes; el Producto no se debe abrir, modificar, sumergir o someter a uso o mantenimiento anormales. Todos los productos deben usarse de acuerdo con las instrucciones que se proporcionan con el Producto y el comprador será el único responsable de seleccionar un modelo de Producto con las especificaciones adecuadas para el equipo que se protegerá. Intermatic determinará, a su propio criterio, si cualquier Producto devuelto por un comprador se ha utilizado de acuerdo con las instrucciones, es un modelo adecuado para el uso del comprador del mismo y si el Producto está defectuoso.

(B) Reparación o reembolso por daños a equipos conectados adecuadamente

Además de la garantía del Producto descrita anteriormente, Intermatic garantiza lo siguiente al comprador original del Producto por un período de tres años desde la fecha de compra: En caso de que cualquier equipo eléctrico conectado (como se definen a continuación) reciba daños (el "Equipo dañado") como resultado directo de que un Producto no haya protegido al Equipo dañado contra Sobretensión temporal (como se define a continuación) y todas las demás condiciones se cumplan, la opción de Intermatic es reparar el Equipo dañado o reembolsar al comprador del producto defectuoso. El límite de la responsabilidad de Intermatic conforme a esta garantía será el Valor real de mercado (como se define a continuación) del Equipo dañado o la cantidad deducible de la póliza de seguro de propiedad del comprador original, lo que sea menor. En ningún caso, Intermatic deberá incurrir en costos de reparación ni reembolsar al comprador por una cantidad superior a USD 7.500. Como se utiliza en este documento "equipo eléctrico conectado" se referirá a los equipos electrónicos y de HVAC que este Producto debe proteger. El Valor real de mercado del Equipo dañado deberá ser el valor actual del equipo especificado en la versión más reciente de Orion Blue Book (impreso o edición en línea) de Orion Research Corporation, o una publicación comparable. Inmediatamente después de descubrir un Equipo dañado, el comprador debe enviar una reclamación conforme al procedimiento de reclamación que se indica a continuación. En ningún caso, el comprador podrá iniciar una reclamación después de (30) días después de que el Equipo protegido se haya dañado. Con el fin de recibir la protección del Equipo conectado que se proporciona en esta Sección, se deben satisfacer todas las siguientes condiciones con respecto al uso del Producto: (a) el Producto se debe instalar adecuadamente; (b) todo el cableado del edificio y las conexiones hacia el Producto y el Equipo dañado deben ser conformes a todos los códigos eléctricos federales, estatales y locales pertinentes; (c) no se pueden usar cables o conexiones a tierra además de la fuente de energía de CA en conexión con el Producto o Equipo dañado; (d) los Productos y Equipos protegidos no se deben abrir, modificar, sumergir o someter a uso o mantenimiento anormales. Para fines de esta garantía limitada, una Sobretensión temporal se referirá al sobrevoltaje que se produzca por aumentos repentinos de voltaje o sobretensiones en la línea de energía de CA de la magnitud que el Producto, de acuerdo con sus especificaciones, está diseñado para detener antes de que dichos aumentos repentinos o sobretensiones afecten a los equipos aguas abajo.

(2) Lo que no cubre esta garantía limitada

Intermatic no garantiza (a) defectos en el Producto o daños a cualquier equipo provocados por fallas en la instalación adecuada del Producto, (b) daños provocados por el uso del Producto para otros fines que no sean para los que está diseñado, (c) daños provocados por desastres como incendio, inundación y vientos fuertes, (d) daños provocados por accesorios o modificaciones no autorizadas del producto, (e) daños al Producto que se produzcan durante el envío, o (f) alteraciones eléctricas que excedan las especificaciones del producto publicadas, (g) daños al producto provocados por cualquier otro abuso o mal uso por parte del comprador, (h) daños debido a golpes de rayos directos o en las cercanías. Esta garantía aplica para aplicaciones residenciales y comerciales. Este dispositivo no está diseñado para proporcionar protección durante los aumentos de voltaje de la red pública o la pérdida de condiciones neutrales que no son, por definición, eventos de sobretensión temporal y que no están cubiertos por esta garantía.

(3) Exención de responsabilidad de garantía

LAS GARANTÍAS ANTERIORES REEMPLAZAN A TODAS LAS OTRAS GARANTÍAS EXPRESAS. EN LA MEDIDA QUE LA LEY LO PERMITA, TODAS LAS GARANTÍAS IMPLÍCITAS DE COMERCIABILIDAD O IDONEIDAD PARA UN PROPÓSITO EN PARTICULAR ESTÁN LIMITADAS A LA DURACIÓN DE ESTA GARANTÍA LIMITADA.

(4) Limitación de soluciones

EN NINGÚN CASO, INTERMATIC SERÁ RESPONSABLE POR DAÑOS ESPECIALES, INDIRECTOS O EMERGENTES SOBRE LA BASE DE INCUMPLIMIENTO DE GARANTÍA, INCUMPLIMIENTO DE CONTRATO, NEGLIGENCIA, RESPONSABILIDADES EXTRA CONTRACTUALES Estrictas O CUALQUIER OTRA TEORÍA LEGAL. DICHAOS DAÑOS EXCLUIDOS COMPRENDEN, ENTRE OTROS, DAÑOS AL SOFTWARE, PÉRDIDA DE DATOS, PÉRDIDA DE GANANCIAS, PÉRDIDAS DE AHORROS O INGRESOS, PÉRDIDA DE USO DEL PRODUCTO O CUALQUIER EQUIPO ASOCIADO, COSTO DE CAPITAL, COSTO DE CUALQUIER EQUIPO SUSTITUTO, INSTALACIONES O SERVICIOS, TIEMPO DE INACTIVIDAD, LAS RECLAMACIONES DE TERCEROS, ENTRE ELLOS, CLIENTES, DAÑOS A LA PROPIEDAD Y LESIONES PERSONALES. ALGUNOS ESTADOS NO PERMITEN LÍMITES DE GARANTÍAS O SOLUCIONES PARA INCUMPLIMIENTOS EN CIERTAS TRANSACCIONES; EN ESOS ESTADOS, ES POSIBLE QUE NO APLIQUEN LOS LÍMITES DE ESTE PÁRRAFO Y DEL PÁRRAFO (3).

(5) Límite de tiempo para iniciar acciones judiciales

No se puede presentar ninguna acción legal que surja de algún incumplimiento de garantía reclamado más de un año después de que ocurrió la causa de la acción.

(6) Ninguna otra garantía

A menos que ambas partes lo modifiquen por escrito y lo firmen, se entiende que este acuerdo es el acuerdo completo y exclusivo entre las partes, y reemplazará todos los acuerdos anteriores, orales o escritos, y todas las demás comunicaciones entre las partes relacionadas con el tema en cuestión de este acuerdo. Ningún empleado de Intermatic o ninguna otra persona están autorizados para realizar garantías además de las realizadas en este acuerdo. Este producto tiene garantía de: Intermatic Incorporated/After Sales Service, 7777 Winn Rd., Spring Grove, IL, 60081-9698/815-675-7000 <http://www.intermatic.com>

(7) Procedimiento de reclamación

Con el fin de enviar una reclamación de servicio de garantía, el comprador original debe:

(A) Comunicarse con el Centro de Reclamaciones de Seguro de Intermatic al 1-800-270-7227 antes de que se realicen reparaciones en el equipo dañado.

(B) Solicitar que se escriba un Informe de reclamación de incidentes con respecto a los daños, el que debe incluir descripciones e identificación del modelo (si están disponibles) de los equipos que se dañaron. Registre el número de reclamación de garantía para referencias futuras.

(C) Presentar una reclamación por los equipos dañados con la compañía de seguros de propiedad.

(D) Enviar el DISPOSITIVO DE PROTECCIÓN CONTRA SOBRETENSIÓN DE INTERMATIC al coordinador de garantía de Intermatic a la dirección que se indica a continuación. Todos los dispositivos devueltos deben estar claramente marcados con el número de reclamación de garantía Intermatic.

(E) Envíe toda la siguiente información en un solo paquete al coordinador de garantía de Intermatic a la dirección que se indica a continuación.

(1) Nombre, dirección y número de teléfono del reclamante.

(2) Comprobante de venta original con fecha del Dispositivo de protección contra sobretensión de Intermatic.

(3) Informe original para el trabajo de reparación.

(4) El informe de daños.

(5) Una copia del informe de reclamación emitido por la compañía de seguros de propiedad o una copia de la póliza que muestre que la cantidad del deducible excede el costo de la reparación.

(F) Dirija todas las comunicaciones y devoluciones de productos a:

Intermatic Warranty Coordinator
7777 Winn Road
Spring Grove, Illinois 60081-9698
Attn: Surge Claim Processor

Información de producto e instalación

Fecha de compra: _____

Fecha de instalación: _____

Instalado por: _____

Punto de instalación: _____

Clasificaciones del disyuntor, si corresponde: _____

INTERMATIC INCORPORATED, 7777 Winn Road, SPRING GROVE, ILLINOIS 60081-9698
<http://www.intermatic.com>

158--01457